

ITEM # _____

MODEL # _____

PROJECT NAME # _____

SIS # _____

AIA # _____



10" Food Slicer DSL Series

601576 (DSL10) 10" Food Slicer 120 V/1p/60Hz

Short Form Specification

Item No. _____

Unit to be Electrolux Dito 10" Food Slicer. Electrical characteristics to be 120 V SINGLE-phase operation with Adjustable speeds at 335 rpm. The slicing machine is made of anodized aluminum alloy and has the advantage of being easy to clean and is very hygienic. The cut thickness-adjusting knob is very sensitive and enables a millimeter adjustment. The easy and precise sharpening tool makes the work of the user easier by keeping the edge of the blade always sharp. The carriage, running on self-lubricating bushes, has an exceptional fluency and you can cut also heavy sausages, roast-beef, cheese and fish. Though this is a small slicer, it has all the advantages and the features of a big slicer.



5-15P

Approval: _____

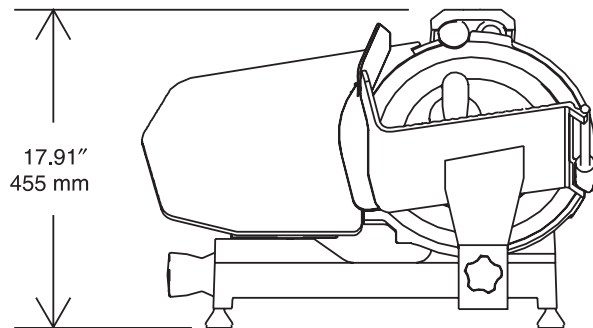
Main features

- Adjustable speed control knob.
- Cut thickness-adjusting knob (millimeter adjustment).
- Power: 1/4 HP – single phase.
- Motor speed: 335 rpm.
- 185 watts.
- Compact design.
- Highest degree of safety in functioning, cleaning and maintenance.
- Belt drive mechanics.
- Made of an aluminum alloy treated by anodic oxidation. This procedure guarantees high hygienic standards of the parts interested by the cut and resistance to acids, salts and oxidation processes.
- The blade is made of chromium plated steel 100Cr6; it is grinded and hardened to guarantee an accurate and sharp cut of products also after it has been re-sharpened.
- The other components of the slicer are made of ABS, LEXAN, PLEXIGLAS and stainless steel AISI 430 or 304.
- Dimensions: (HxLxW): 15.75" x 19.75" x 16.6".
- Approximate shipping weight—40 lbs.
- UL electrical and NSF sanitation listed.
- NEMA # : 5-15P.
- 2 year parts warranty, 1 year labor.

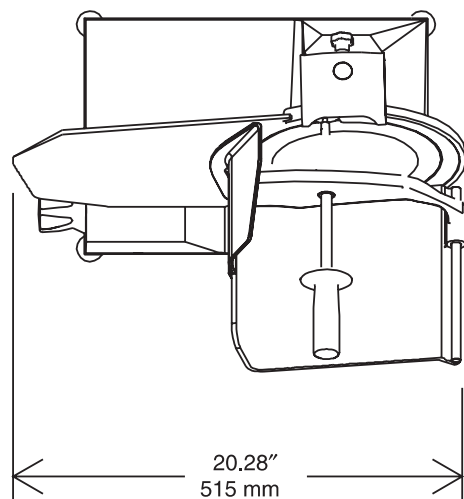
Optional Accessories

- Blade 10" for Food Slicer (PNC 653645)
- Blade (Teflon Coated) 10" for Food Slicer (PNC 653650)
- Vegetable Cutter Adapter for 10" Slicer (PNC 653653)

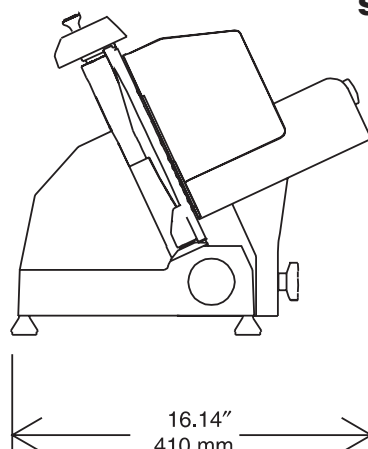
Front View



Top View



Side View



Electric

Supply voltage:

601576 (DSL10)

120 V/1p/60Hz – 1.6A

Key Information

The **MECHANICAL SAFETY** system includes:

- Blade guard
- Cover
- Meat pusher
- Hand cover on meat hopper
- Meat hopper + finger protection.

The **ELECTRICAL SAFETY** system includes:

The slicer is equipped with: a micro-switch which stops the slicer in case the tie rod for blade guard is removed; the micro-switch prevents from restarting the slicer if the guard has not been set in the switch-off position.